

tortillaXpress



Model No.

TXM-15

Manual Tortilla Press

The TXM-15 is an economic manual tortilla dough press, perfect for low to medium production volumes. It is a fast, safe, simple, mess free and the 15"x15" platen is capable of making 4 tortillas at once. The TXM-15 press is great for either flour or corn tortillas and flat breads. The TXM-15 is a swing away design with upper and lower heated platens.

Pressing Tips: (Pre-Grill)

- Recommended Time: 1-3 seconds
- Recommended Temperature: 275°-300°

Variable Thickness Control

- makes it possible to achieve desired thickness and ensures consistent thickness at the same dough ball weight

Dual Heated Platens:

- initial grill off for tortillas (fully grilling on press not recommended)
- speeds up production (faster pressing times)
- enables pressing thinner products
- aids dough flow
- allows dough to be pressed straight from refrigeration unit

Production:

- 15"x15" platen allows for making variable tortilla sizes and thicknesses up to 16 inches in diameter – the size of the tortilla is determined by the weight of the dough ball and the thickness setting.
- depends on the desired size of the tortilla...
 - 8" to 15" = 75-100/hr,
 - 7" = 150-200/hr,
 - 6" or under = 300-400/hr



Labor:

- presses require no skilled labor unlike hand tossing
- presses are safe and have no age requirements unlike sheeters/rollers

Use:

- TXM-15 is easy to use... prepare dough balls, set temp/thickness, place dough ball in center of lower platen, and press the dough.

Finished Product:

- pressed dough is consistent in thickness and size vs. hand prepared where the thickness and size can be inconsistent.
- for best results, we recommend initial grill off of tortillas on dual-heated press and finish on DoughXpress Tortilla Warmer (TXW-1620, TXW-2025 or TXW-2540)



doughXpress

HIX Corporation Food Division
Product improvement may require us to change specifications without notice.
Revised October 2017

DOUGHXPRESS

1201 E. 27th Terrace
Pittsburg, KS 66762 USA

Toll Free: (800) 835-0606 ext.205

Tel: (620) 231-8568 ext.205

Fax: (620) 231-1598

doughxpress@hixcorp.com or visit www.doughxpress.com

tortillaXpress



Model No.

TXM-15

Manual Tortilla Press

Features Include:

- full range thickness adjustment from 0.039" thin to 7/8"
- easy to use open and close handle
- top platen swings away for easy loading and unloading of dough
- heat indicating light that turns off when set temperature is reached
- flattens dough balls into pizzas up to 18" in diameter
- powder coated white finish with aluminum upper and lower platens

Optional Features:

- Non-stick PTFE coated upper and lower platens

Certifications:

- ETL Electrical Safety
- ETL Sanitation

Recommended Cleaning Instructions:

- wipe down with a moist towel - if needed, use damp sponge with minimal soap and water and then dry off

DIMENSIONS

Width: 16-1/2 inches, 41.91 centimeters

Height: 15-1/4 inches, 38.74 centimeters

Depth: 24 inches, 60.96 centimeters

WEIGHT

Shipping: 85 lbs.

ELECTRICAL

220 Volts / 50-60 Hz

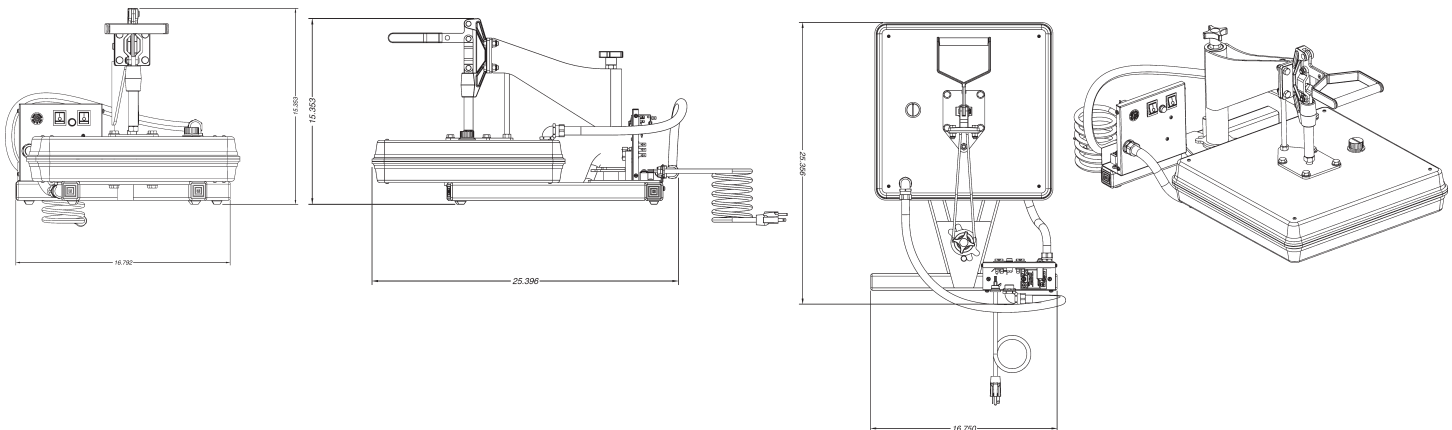
3100 Watts

15 Amps

6-20P NEMA Plug

TEMPERATURE RANGE

Off-400°F, 204°C upper and lower platens



doughXpress

HIX Corporation Food Division

Product improvement may require us to change specifications without notice.

Revised October 2017

DOUGHXPRESS
1201 E. 27th Terrace
Pittsburg, KS 66762 USA

Toll Free: (800) 835-0606 ext.205
Tel: (620) 231-8568 ext.205
Fax: (620) 231-1598

doughxpress@hixcorp.com or visit www.doughxpress.com