

### Compact Bun & Bagel Slicer

The simple to use DXSM-270C/CE compact bun and bagel slicer will slice French Bread, Bagels, Hamburger Buns, Hoagies, Biscuits, Bread Sticks and so much more. Sturdy and solidly built, the DXSM-270C/CE can slice and/or hinge products as fast as the operator can feed them into the chute.

Ideal for Supermarkets, Bakeries, Schools, Delis, Sub Shops, Restaurants, Bagel Shops, Caterers and more.



#### Features:

- Adjustable for products up to 6" wide by 3" thick.
- Can slice through product or hinge product.
- Simple to operate for repeatable accuracy.
- Toolless removable chute for safe, easy cleaning without interference from the cutting blade.
- Stainless Steel food contact & White Powder Coated Finish non-food contact

#### DIMENSIONS

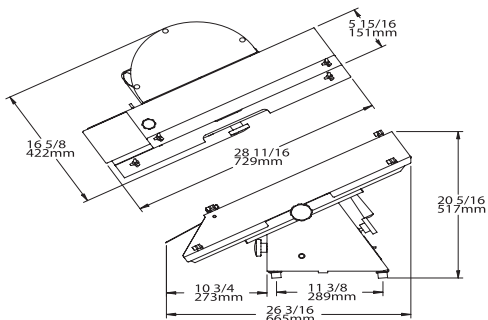
Width: 16-5/8 inches, 42.2 centimeters  
 Height: 20-5/16 inches, 51.7 centimeters  
 Depth: 26-3/16 inches, 66.5 centimeters

#### WEIGHT

Press Only: 60 lbs.  
 Shipping: 87 lbs.

#### ELECTRICAL

DXSM-270C	DXSM-270CE
115 Volt / 60 Hz	220-240 Volt / 50 Hz
8.7 Amps	4.8 Amps / 1-Phase
1725 rpm	1425 rpm
1/2 hp Motor	



**Complete Cut:**  
**Maximum: 5-1/4" (13.33 cm)**  
**From Bottom: 1/2" to 1-1/2"**  
 (1.27 - 38.1 cm)

**Adjustable for hinged cut on product up to:**  
**6" wide and 3" thick**  
 (15.24 cm wide and 76.2 cm)

**doughXpress**

**HIX Corporation Food Division**  
 Product improvement may require us to change specifications without notice.  
 Revised October 2017

**DOUGHXPRESS**  
 1201 E. 27th Terrace  
 Pittsburg, KS 66762 USA

Toll Free: (800) 835-0606 ext.205  
 Tel: (620) 231-8568 ext.205  
 Fax: (620) 231-1598

doughxpress@hixcorp.com or visit [www.doughxpress.com](http://www.doughxpress.com)