

bakeryXpress



Model No.

DX-JN

Semi-Automatic Dough Divider/Rounder

The DX-JN semi-automatic dough divider/rounder has four machines in one capability. The interchangeable head assemblies in either 36, 18, 9, or 6-part divisions allow fast accurate scaling and rounding of dough in weights ranging from 1 ounce up to 26 ounces each piece.

Examples:

- 36-part = 1 - 2-3/4 ounces each
- 18-part = 2 - 7 ounces each
- 9-part = 7 - 18 ounces each
- 6-part = 18 - 26 ounces each

Use:

- DX-JN is capable of dividing and rounding many types of Yeast Raised Dough including Bread & Bun dough, Tortilla & Pizza dough
- When removed for cleaning or interchange, (no tools required), the entire head assembly can be placed into a sink or dishwasher for complete cleaning to a sanitary operating condition in just minutes per day.



Features:

- 4-in-1 Machine Capabilities
- Dividing/Rounding Head Assembly easily removed in seconds, without tools... for Total Cleanability and Interchange with Optional Divider head assemblies
- Versatility... 1-oz. up to 26 oz.

DIMENSIONS

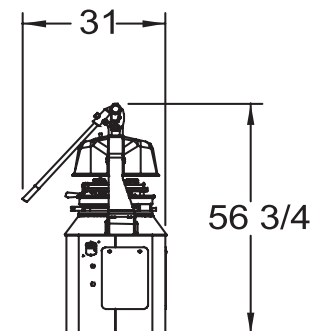
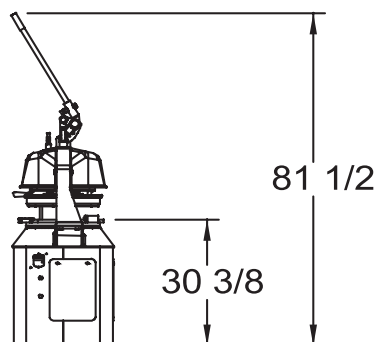
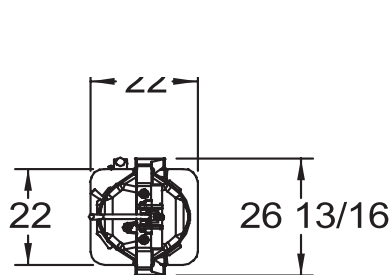
Width: 26-13/16 inches, 68.07 centimeters
Height: 81-1/2 inches, 207.6 centimeters
Depth: 22 inches, 55.9 centimeters

WEIGHT

Press Only: 449 lbs., 203.7 kg
Shipping: 493 lbs., 223.6 kg

ELECTRICAL

208-230V / 60 Hz / 3-ph. 3/4 h.p. 10 Amps



doughXpress

HIX Corporation Food Division

Product improvement may require us to change specifications without notice.

Revised October 2017

DOUGHXPRESS

1201 E. 27th Terrace
Pittsburg, KS 66762 USA

Toll Free: (800) 835-0606 ext.205

Tel: (620) 231-8568 ext.205

Fax: (620) 231-1598

doughxpress@hixcorp.com or visit www.doughxpress.com