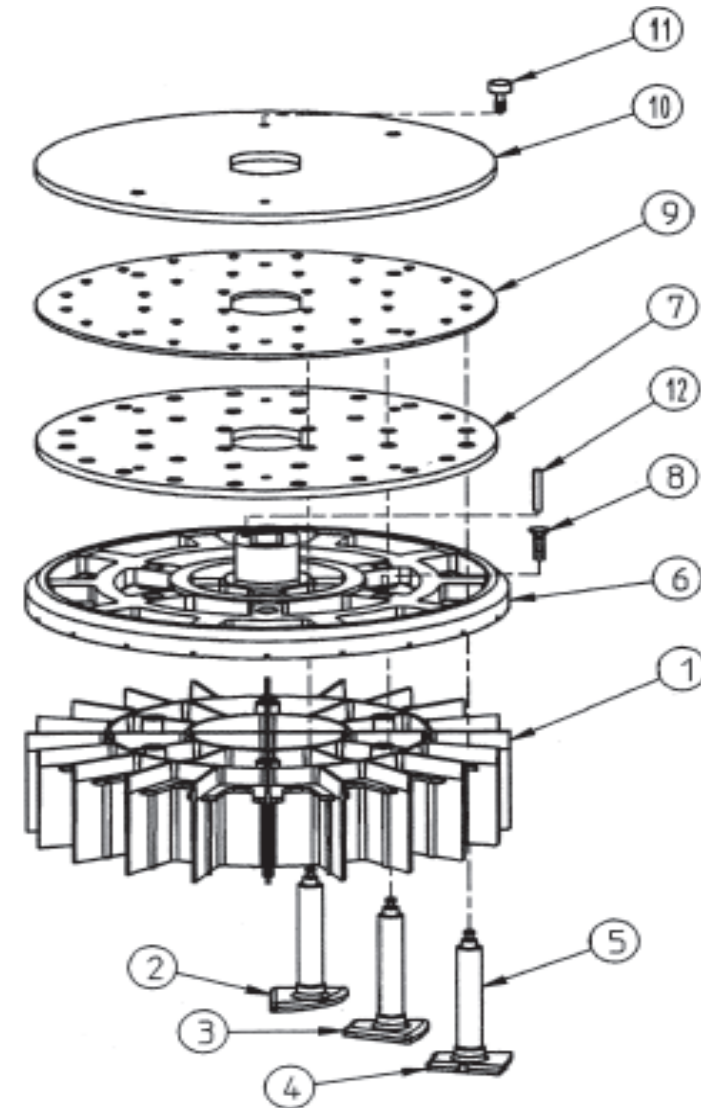


## Head Assembly & Parts Description

**SHOWN:**  
36-Part Head  
Assembly Drawing;  
with 36, 18 & 9-Part  
Description and  
Part Numbers

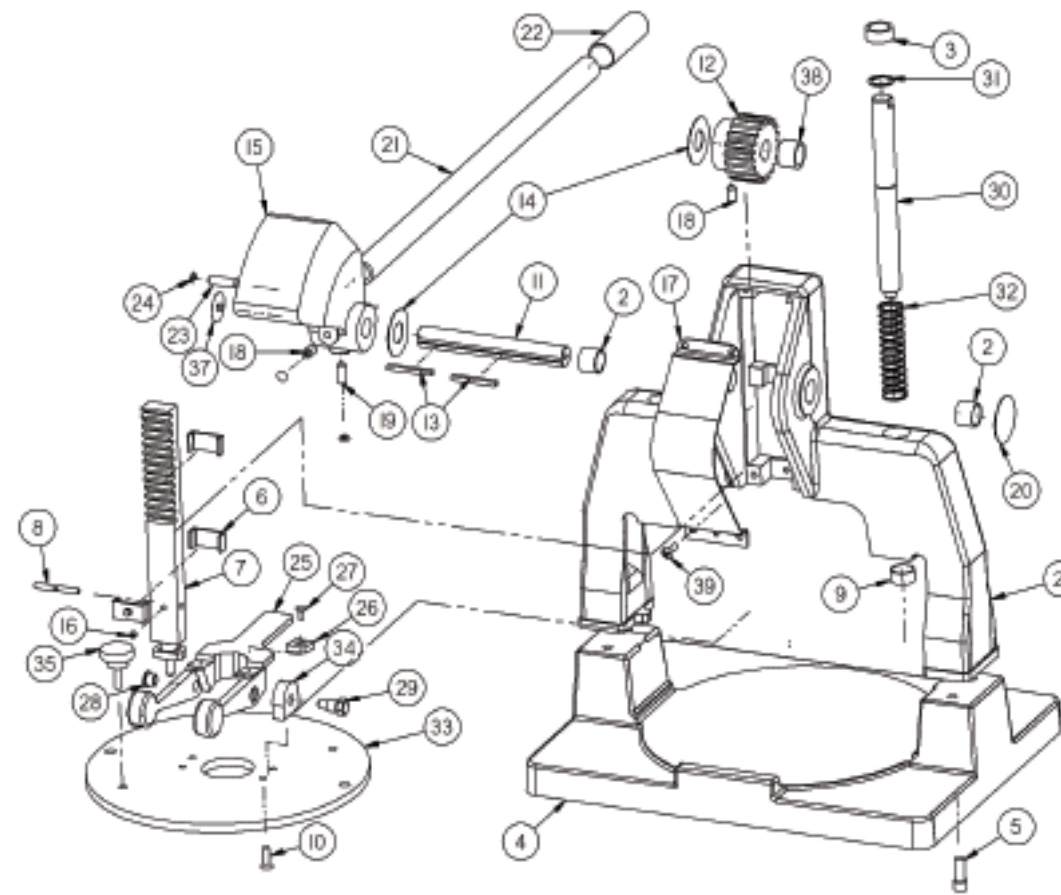


\* 18 or 9-Part Heads (Not Shown)

### LIST OF PARTS

| Item | Qty. | Description                | Part Number     |
|------|------|----------------------------|-----------------|
| 1    | 1    | 36-Part Divider            | C4-141-0001     |
|      | 1    | *18-Part Divider           | * C4-141-0002   |
|      | 1    | * 9-Part Divider           | * C4-141-0046   |
| 2    | 4    | 36-Part Center Plug        | A4-139-0001     |
|      | 2    | *18-Part Center Plug       | * A4-139-0004   |
|      | 1    | * 9-Part Center Plug       | * A4-139-0057   |
| 3    | 12   | 36-Part Intermediate Plug  | A4-139-0002     |
|      | 6    | *18 Part Intermediate Plug | * A4-139-0005   |
|      | 3    | * 9 Part Intermediate Plug | * A4-139-0058   |
| 4    | 20   | 36-Part Outer Plug         | A4-139-0003     |
|      | 10   | *18-Part Outer Plug        | * A4-139-0006   |
|      | 5    | * 9 Part Outer Plug        | * A4-139-0059   |
| 5    | 36   | 36 & 9-Part Plug Stem      | B4-054-0003     |
|      | 36   | *18-Part Plug Stem         | * B4-054-0001   |
| 6    | 1    | 36-Part Divider Plate      | C4-147-0008-P   |
|      | 1    | *18-Part Divider Plate     | * C4-147-0009-P |
| 7    | 1    | Plug Plate                 | C4-147-0002-P   |
| 8    | 6    | Flat Head Phillips Screw   | 22-E-0407       |
| 9    | 1    | Lock Plate                 | C4-147-0003     |
| 10   | 1    | Cover Plate                | C4-147-0004     |
| 11   | 2    | Captured Screw             | P4-927-0001     |
| 12   | 1    | Pin                        | 73-E-0620       |

## Machine Parts Description w/o Head Ass'y.



### LIST OF PARTS

| Item | Qty. | Description           | Part Number    | Item | Qty. | Description      | Part Number   |
|------|------|-----------------------|----------------|------|------|------------------|---------------|
| 1    | 1    | Yoke                  | C4-088-0001-P  | 20   | 1    | Cover            | A4-063-0002   |
| 2    | 2    | Bushing               | P4-909-0001    | 21   | 1    | Handle           | A4-092-0001   |
| 3    | 2    | Bushing               | P4-909-0003    | 22   | 1    | Hand Grip        | P4-939-0001   |
| 4    | 1    | Base                  | C4-030-0001-P  | 23   | 1    | Socket Set Screw | 29-Y-0610     |
| 5    | 4    | Capscrew              | 12-E-0608      | 24   | 3    | Set Screw Plug   | A4-139-0007   |
| 6    | 3    | Bushing Half          | A4-024-0001    | 25   | 1    | Trip Lever       | B4-045-0004-P |
| 7    | 1    | Ram with Rack         | B4-003-0003    | 26   | 2    | Wear Plate       | A4-147-0006-P |
| 8    | 1    | Ram Pin               | A4-066-0001    | 27   | 2    | Screw            | 22-E-0304     |
| 9    | 2    | Bushing               | P4-909-0002    | 28   | 2    | Bushing          | P4-909-0005   |
| 10   | 4    | Screw                 | 22-E-0407      | 29   | 2    | Pivot Bolt       | A4-033-0001   |
| 11   | 1    | Gear Shaft            | A4-053-0003    | 30   | 2    | Spindle          | A4-145-0001   |
| 12   | 1    | Gear                  | A4-003-0002    | 31   | 2    | Retaining Ring   | P4-957-0001   |
| 13   | 2    | Key                   | S-L-03-03-16   | 32   | 2    | Spindle Spring   | A4-082-0002   |
| 14   | 2    | Spacer                | A4-023-0002    | 33   | 1    | Trip Plate       | C4-147-0005-P |
| 15   | 1    | Lever w/Counterweight | B4-045-0001-P2 | 34   | 2    | Pivot Tab        | A4-146-0001-P |
| 16   | 1    | Slotted Set Screw     | 31-E-0402      | 35   | 2    | Knob             | P4-939-0002   |
| 17   | 1    | Yoke Cover            | B4-063-0119    | 36   | 1    | Pan (Not Shown)  | B4-149-0001   |
| 18   | 2    | Socket Set Screw      | 29-Y-0605      | 37   | 1    | Plug             | A4-139-0024   |
| 19   | 1    | Socket Set Screw      | 29-Y-0607      | 38   | 1    | Bushing          | P4-909-0031   |
|      |      |                       |                | 39   | 4    | Yoke cover Screw | 23-E-0406     |

# doughXpress

1201 E. 27th Terrace • Pittsburg, KS 66762 • U.S.A.  
Ph: (620) 231-8568 • Fax: (620) 231-1598 • E-Mail: mail@hixcorp.com • Website: www.doughxpress.com



## MODEL DX-BMIH-36/18/9

### Manual Dough Divider

The DoughXpress DX-BMIH Dough Divider is simple to operate, and very accurate. The removable divider head assemblies can be cleaned daily, either by hand washing, or by placing into a dish or pan washer. Instructions for removal of the divider assembly are found inside this manual. Removal takes only seconds, and without the need for tools.

This Dough Divider will divide a single large piece of dough into either 36, 18 or 9 equal pieces, the weight of each piece being determined by the weight of the large piece placed into the pan initially, and the head assembly being utilized.

### DOUGH DIVIDING PROCEDURE

A simple formula for determining the size of the initial piece of dough is to decide what each piece of dough should weigh. Multiply this weight by 36, 18 or 9 depending on head assembly, then divide by 16 (ounces), and you will have the weight (in pounds) of the initial piece of dough needed to be placed into the pan.

**Example:** Each piece needs to weigh 2 ounces.

$$2 \text{ ounces} \times 36 \text{ (pieces)} = 72 \text{ ounces}$$

$$72 \text{ (ounces)} \div 16 \text{ (ounces)} = 4 \text{ lbs. 8-ounces.}$$

(See Dough Weight Chart on back for additional examples)

### OPERATING INSTRUCTIONS

**Step 1:** Place the large dough piece to be divided into a lightly dusted Pan then place the Pan into the Machine. **Note:** Before placing the Pan into the Machine, press the dough by hand so it completely covers the bottom of the Pan.

**Step 2:** After placing the Pan into the Machine, pull down on the Handle and exert a firm pressure for 3-4 seconds to uniformly flatten the dough inside the Pan.

**Step 3:** Slightly relax the pressure on the Operating Handle and push down on the Trip Lever to release the Cutting Knives from the Head Assembly. Next, push the Operating Handle all the way down, and the Knives will cut the dough into evenly divided pieces.

Raise the Operating Handle to the start position, remove the Pan and dump out the divided dough pieces. You are ready to repeat the procedure.

**Tip:** For sticky dough products, line the bottom of the Pan with a circular piece of parchment paper. The paper can be used repeatedly.

STEP 1



STEP 2



STEP 3



## DOUGH SCALING EXAMPLES

| 36 Divisions   |                                | 18 Divisions   |                                | 9 Divisions  |                               |
|--|--------------------------------|--|--------------------------------|--|-------------------------------|
| Weight of dough piece to be placed into Pan for dividing | Equals 36 pieces each weighing | Weight of dough piece to be placed into Pan for dividing | Equals 18 pieces each weighing | Weight of dough piece to be placed into Pan for dividing | Equals 9 pieces each weighing |
| 2 lbs., 4 oz. (1008 gr)                                  | - 1 oz. (28 gr)                | 2 lbs., 4 oz. (1008 gr)                                  | - 2 oz. (56 gr)                | 2 lbs., 4 oz. (1008 gr)                                  | - 4 oz. (113 gr)              |
| 2 lbs., 13 oz. (1260 gr)                                 | - 1-1/4 oz. (35 gr)            | 2 lbs., 13 oz. (1260 gr)                                 | - 2-1/2 oz. (71 gr)            | 2 lbs., 13 oz. (1260 gr)                                 | - 5 oz. (142 gr)              |
| 3 lbs., 6 oz. (1512 gr)                                  | - 1-1/2 oz. (42 gr)            | 3 lbs., 6 oz. (1512 gr)                                  | - 3 oz. (85 gr)                | 3 lbs., 6 oz. (1512 gr)                                  | - 6 oz. (170 gr)              |
| 3 lbs., 15 oz. (1764 gr)                                 | - 1-3/4 oz. (49 gr)            | 3 lbs., 15 oz. (1764 gr)                                 | - 3-1/2 oz. (99 gr)            | 3 lbs., 15 oz. (1764 gr)                                 | - 7 oz. (198 gr)              |
| 4 lbs., 8 oz. (2016 gr)                                  | - 2 oz. (56 gr)                | 4 lbs., 8 oz. (2016 gr)                                  | - 4 oz. (113 gr)               | 4 lbs., 8 oz. (2016 gr)                                  | - 8 oz. (227 gr)              |
| 5 lbs., 1 oz. (2268 gr)                                  | - 2-1/4 oz. (63 gr)            | 5 lbs., 1 oz. (2268 gr)                                  | - 4-1/2 oz. (127 gr)           | 5 lbs., 1 oz. (2268 gr)                                  | - 9 oz. (255 gr)              |
| 5 lbs., 10 oz. (2520 gr)                                 | - 2-1/2 oz. (70 gr)            | 5 lbs., 10 oz. (2520 gr)                                 | - 5 oz. (141 gr)               | 5 lbs., 10 oz. (2520 gr)                                 | - 10 oz. (283 gr)             |
| 6 lbs., 3 oz. (2772 gr)                                  | - 2-3/4 oz. (78 gr)            | 6 lbs., 3 oz. (2772 gr)                                  | - 5-1/2 oz. (156 gr)           | 6 lbs., 3 oz. (2772 gr)                                  | - 11 oz. (312 gr)             |
| 6 lbs., 12 oz. (3024 gr)                                 | - 3 oz. (85 gr)                | 6 lbs., 12 oz. (3024 gr)                                 | - 6 oz. (170 gr)               | 6 lbs., 12 oz. (3024 gr)                                 | - 12 oz. (340 gr)             |
| 7 lbs., 5 oz. (3276 gr)                                  | - 3-1/4 oz. (92 gr)            | 7 lbs., 5 oz. (3276 gr)                                  | - 6-1/2 oz. (184 gr)           | 7 lbs., 5 oz. (3276 gr)                                  | - 13 oz. (368 gr)             |
| 7 lbs., 14 oz. (3528 gr)                                 | - 3-1/2 oz. (99 gr)            | 7 lbs., 14 oz. (3528 gr)                                 | - 7 oz. (198 gr)               | 7 lbs., 14 oz. (3528 gr)                                 | - 14 oz. (397 gr)             |
| 8 lbs., 7 oz. (3780 gr)                                  | - 3-3/4 oz. (106 gr)           | 8 lbs., 7 oz. (3780 gr)                                  | - 7-1/2 oz. (212 gr)           | 8 lbs., 7 oz. (3780 gr)                                  | - 15 oz. (425 gr)             |
| 9 lbs. (4032 gr)   | - 4 oz. (113 gr)               | 9 lbs. (4032 gr)   | - 8 oz. (226 gr)               | 9 lbs. (4032 gr)   | - 16 oz. (453 gr)             |

Dough weights may increase or decrease according to dough viscosity, bench rest time and formulation

Interchangeable/Removable Head Assemblies - No Tools Required!

## SPECIFICATIONS

Models DX-BMIH-36, DX-BMIH-18, DX-BMIH-9

|  |  |
|--|--|
| Cuts                                       | 9, 18 or 36 Pieces   |
| Range                                      | 36-part (1 oz up to 4 oz (28 gr to 113 gr)<br>18-part (2 oz up to 9 oz (56 gr to 255 gr)<br>9-part (4 oz up to 17oz (113 gr to 482 gr) |
| Machine Dimensions                         | 14"D x 18-1/2" W x 21-1/4" H   |
| Boxed Dimensions                           | 15-3/4"D x 19-1/2" W x 25-1/2"H  |
| Machine Weight (with one head)             | 80.5 Lbs. (36.5 kg)  |
| Machine Shipping Weight (with one head)    | 89 Lbs. (40.4 kg)  |
| Machine Shipping Weight (with two heads)   | 104 Lbs. (47.2 kg)   |
| Machine Shipping Weight (with three heads) | 120 Lbs. (54.4 kg)   |

Unit comes equipped with one Stainless Steel Pan.  
Additional Pans and Portable Stand are available.

Additional Pans . . . Part # DX-B4-149-0001 ~ Portable Stand . . . Part # DX-B4-436-0072

## ----- HEAD ASSEMBLY REMOVAL AND DISASSEMBLY PROCEDURES -----



**Figure 1:** Remove pan, completely loosen both Black Knobs. **Do not Drop** the Divider Head as damage may occur!



**Figure 2:** Push downward on the Trip Lever and hold while pulling the handle down which will separate the Head Assembly from the Trip Plate.



**Figure 3:** While holding the Handle down with one hand, use your other hand to rotate the Head Assembly 1/4 turn until the Head Assembly releases.



**Figure 4:** Return the Handle to the upper position and remove Head Assembly for cleaning or interchange with Optional Head Assembly.



**Figure 5:** If you wish to disassemble completely, place the Head Assembly into the Pan, loosen both Black Knobs and lift off Cover Plate.



**Figure 6:** Slide the Locking Plate in the direction to allow Stems to move to the opposite end of the Slots and remove the Locking Plate.



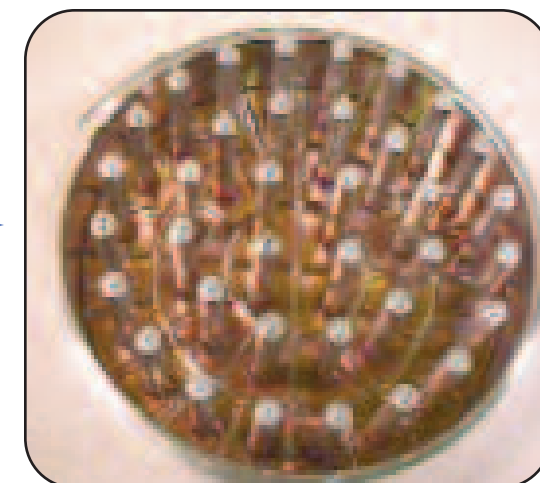
**Figure 7:** Now lift the Plug Plate, exposing the Divider Assembly.



**Figure 8:** The Divider Assembly may now be removed but need not be disassembled further.



**Figure 9:** To disassemble the Divider from the Divider Plate, remove the six screws and separate these parts.



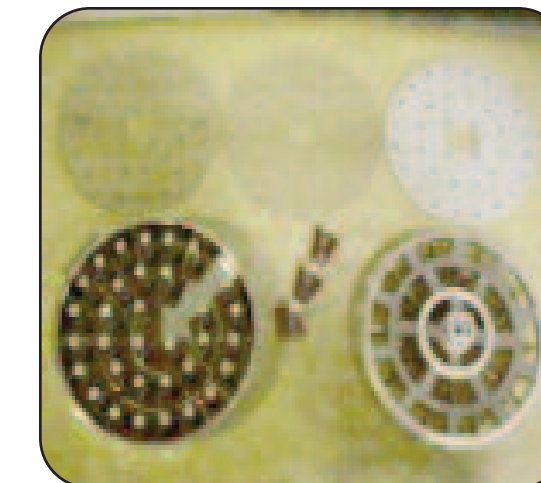
**Figure 10:** Plugs with Stems are shown when the Divider (fig. 8) is removed. Notice the three different circles of Plugs and the pattern they are in.

### TO REASSEMBLE HEAD ASSEMBLY

**Step 1:** Place Plugs into bottom of Pan (see fig. 10). Be sure to form the Plugs into this pattern + for the 36-Part Head, or this pattern - for the 18-Part Head.

**Step 2:** Take the proper Divider Assembly and place over the Plug Pattern you've formed and gently push down on Divider Assembly while at the same time using a shaking motion until the Blades fit into Plugs completely to the bottom of the Pan.

**Step 3:** Continue to reassemble by reversing steps 7-6-5.



**Top L to R:** Cover Plate, Locking Plate, Plug Plate  
**Bottom L to R:** Pan, Plugs, Divider & Divider Plate

