

# bakeryXpress



Model No.

## French Bread/Bun & Bagel Slicer

# DXSM-270/270E

The simple to use DXSM-270/270E French bread/bun and bagel slicer will slice French Bread, Bagels, Hamburger Buns, Hoagies, Biscuits, Bread Sticks and so much more. Sturdy and solidly built, the DXSM-270/270E can slice and/or hinge products as fast as the operator can feed them into the chute.

Ideal for Supermarkets, Bakeries, Schools, Delis, Sub Shops, Restaurants, Bagel Shops, Caterers and more.



### Features:

- Adjustable for products up to 6" wide by 3" thick.
- Variable width.
- Can slice through product or hinge product.
- Simple to operate for repeatable accuracy.
- Toolless removable chute for safe, easy cleaning without interference from the cutting blade.
- Stainless Steel food contact & White Powder Coated Finish non-food contact
- Two year warranty.
- NSF and UL Listed.

### DIMENSIONS

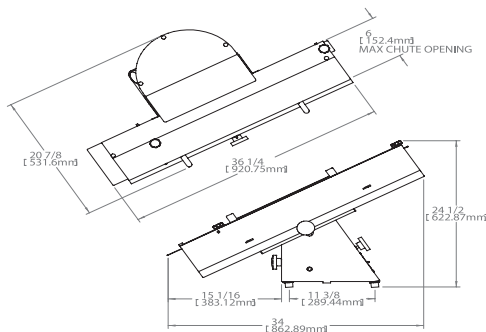
Width: 18 - 20-7/8 in., 45.72 - 53.16 cm  
Height: 24-1/2 inches, 62.23 centimeters  
Depth: 34 inches, 86.36 centimeters

### WEIGHT

Press Only: 75 lbs.  
Shipping: 102 lbs.

### ELECTRICAL

DXSM-270	DXSM-270E
115 Volt / 60 Hz	220-240 Volt / 60 Hz
8.7 Amps	4.8 Amps / 1-Phase
1725 rpm	1425 rpm
1/2 hp Motor	



### Complete Cut:

Maximum: 5-1/4" (13.33 cm)

From Bottom: 1/2" to 1-1/2"

(1.27 - 38.1 cm)

### Adjustable for hinged cut on product up to:

6" wide and 3" thick

(15.24 cm wide and 76.2 cm)



## doughXpress

HIX Corporation Food Division

Product improvement may require us to change specifications without notice.

Revised January 2015

**DOUGHXPRESS**

1201 E. 27th Terrace  
Pittsburg, KS 66762 USA

Toll Free: (800) 835-0606 ext.205

Tel: (620) 231-8568 ext.205

Fax: (620) 231-1598

doughxpress@hixcorp.com or visit [www.doughxpress.com](http://www.doughxpress.com)