

bakeryXpress



Model No.

DXSM-270C/270CE

Compact Bun & Bagel Slicer

The simple to use DXSM-270C/CE compact bun and bagel slicer will slice French Bread, Bagels, Hamburger Buns, Hoagies, Biscuits, Bread Sticks and so much more. Sturdy and solidly built, the DXSM-270C/CE can slice and/or hinge products as fast as the operator can feed them into the chute.

Ideal for Supermarkets, Bakeries, Schools, Delis, Sub Shops, Restaurants, Bagel Shops, Caterers and more.



Features:

- Adjustable for products up to 6" wide by 3" thick.
- Can slice through product or hinge product.
- Simple to operate for repeatable accuracy.
- Toolless removable chute for safe, easy cleaning without interference from the cutting blade.
- Stainless Steel food contact & White Powder Coated Finish non-food contact
- Two year warranty.
- NSF and UL Listed.

DIMENSIONS

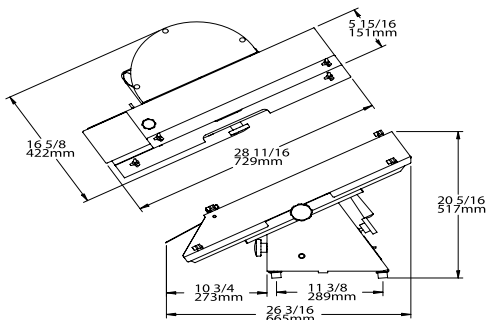
Width: 16-5/8 inches, 42.2 centimeters
Height: 20-5/16 inches, 51.7 centimeters
Depth: 26-3/16 inches, 66.5 centimeters

WEIGHT

Press Only: 60 lbs.
Shipping: 87 lbs.

ELECTRICAL

DXSM-270C	DXSM-270CE
115 Volt / 60 Hz	220-240 Volt / 50 Hz
8.7 Amps	4.8 Amps / 1-Phase
1725 rpm	1425 rpm
1/2 hp Motor	



Complete Cut:

Maximum: 5-1/4" (13.33 cm)

From Bottom: 1/2" to 1-1/2"

(1.27 - 38.1 cm)

Adjustable for hinged

cut on product up to:

6" wide and 3" thick

(15.24 cm wide and 76.2 cm)



doughXpress

HIX Corporation Food Division

Product improvement may require us to change specifications without notice.

Revised October 2017

DOUGHXPRESS

1201 E. 27th Terrace
Pittsburg, KS 66762 USA

Toll Free: (800) 835-0606 ext.205

Tel: (620) 231-8568 ext.205

Fax: (620) 231-1598

doughxpress@hixcorp.com or visit www.doughxpress.com